

OS2 AS

The elegant sashes are integrated into a lift-and-slide door system, enhancing the facades just as much as the interior spaces. With the same minute and performant profiles, OS2 AS fits into the composition of façade arrangements in continuity with the system OS2 75, 65 and LB, maintaining aesthetic and performance features thanks to a set of dedicated components, specifically designed for the lift-and-slide technology.



OS2 AS

OS2 AS integrates the lift and slide sashes into the OS2 system with perfect continuity; ranging from 27 to 62 mm for visible sections, depths ranging from 70 to 84 mm, glazing up to 50 mm

maximum achievable performance

wind resistance - test pressure	3
wind resistance - frame bending	B
water tightness	5A
thermal transmittance (with Ug glass 0,7 W/m²K)	1,1 W/m²K
air permeability	4



- 1 equal visible section on all 4 sides
- 2 glazing slot up to 50 mm
- 3 integrated slot for roller assembly
- 4 double gasket
- 5 threshold profile with integrated water drainage system
- composite structural thermal break*
- 6 polyurethane
- 7 polyamide



OS2 AS external view patinated brass

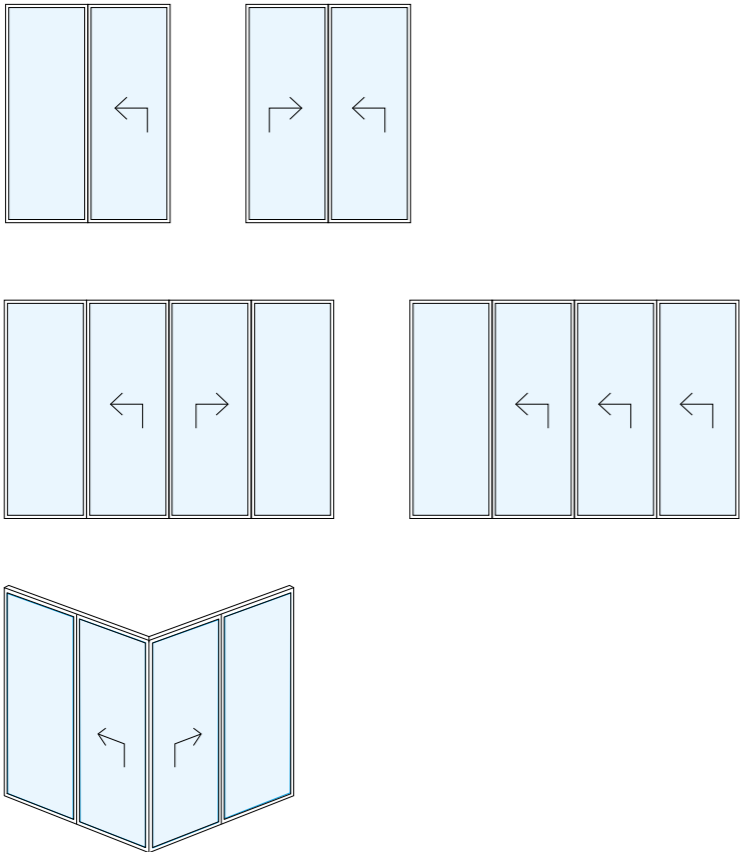


0 10 20 30 40 50

OS2 AS internal view patinated brass

OS2 AS type of opening

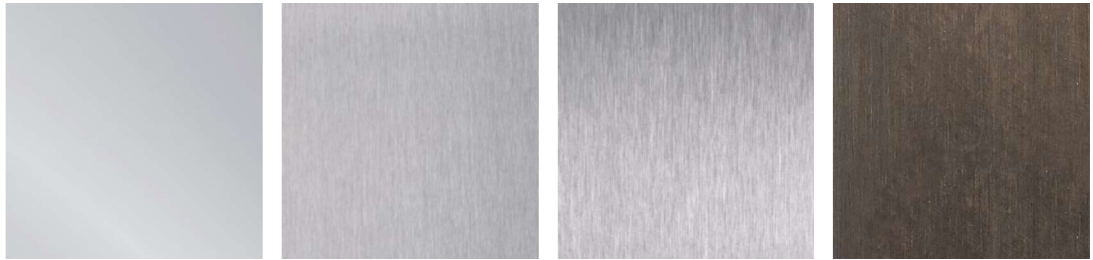
lift-and-slide door



technical drawings p 96

OS2 AS materials

stainless steel



polished 316L stainless steel scotch brite 316L stainless steel satin-finished 304 stainless steel blackened 316L stainless steel

galvanised steel



painted galvanised steel

corten steel



oxidised corten steel waxed oxidised corten steel

brass



patinated OT67 brass satin-finished OT67 brass

OS2 AS Courtyard House, California



systems OS2 AS, EBE 65

material galvanised steel 'patinated black'

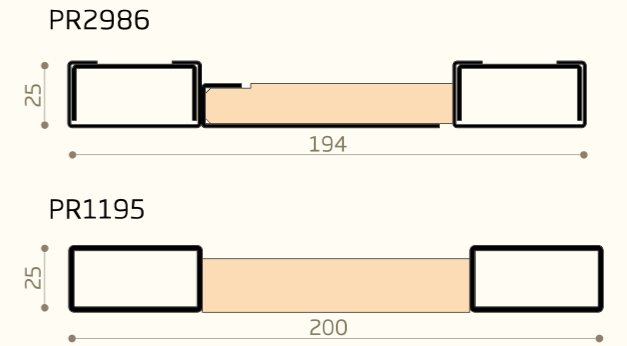
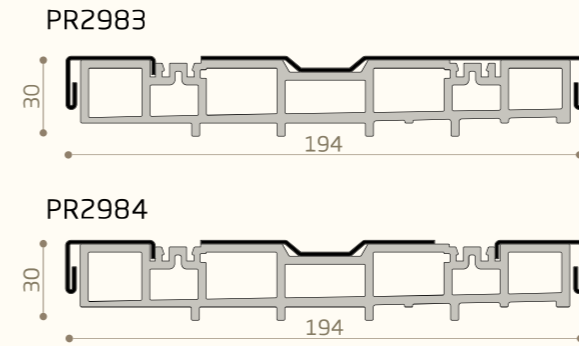
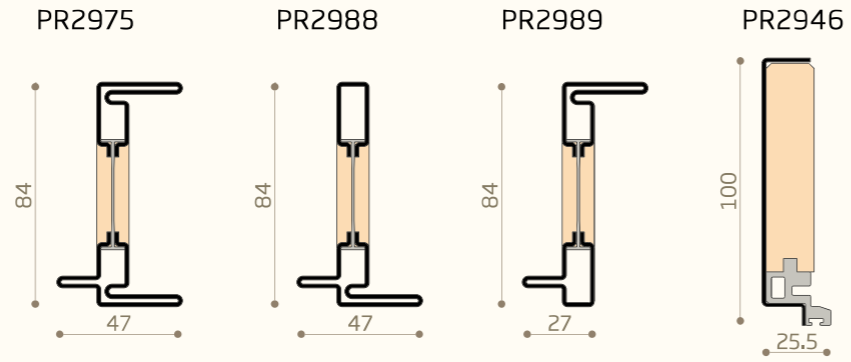
design Ken Linsteadt Architects

officina Jada Windows

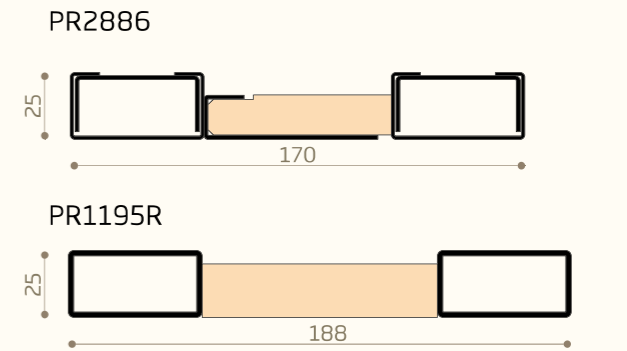
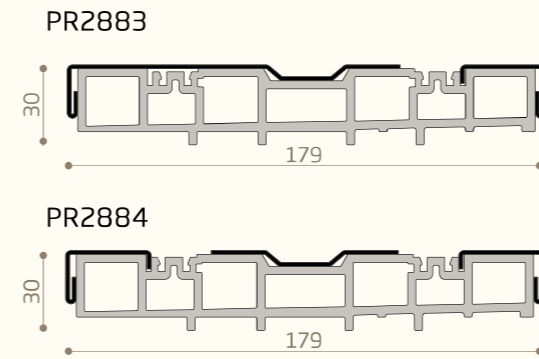
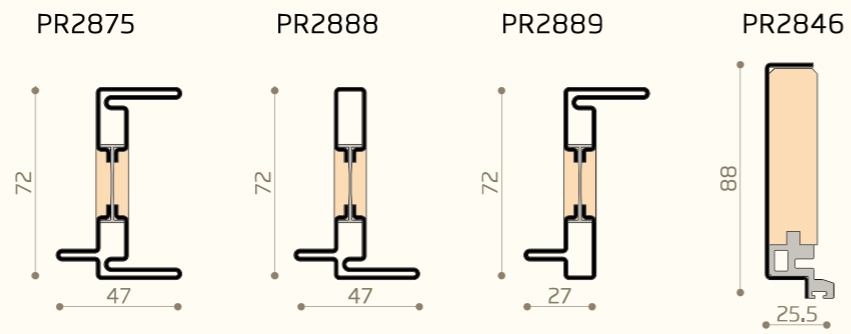
location California - USA

OS2 AS

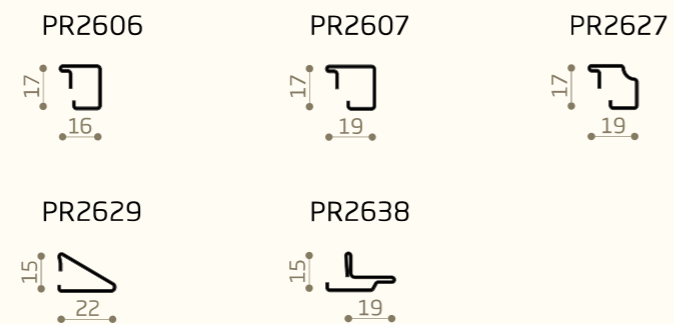
profiles
for IGU up
to 50 mm



profiles
for IGU up
to 38 mm



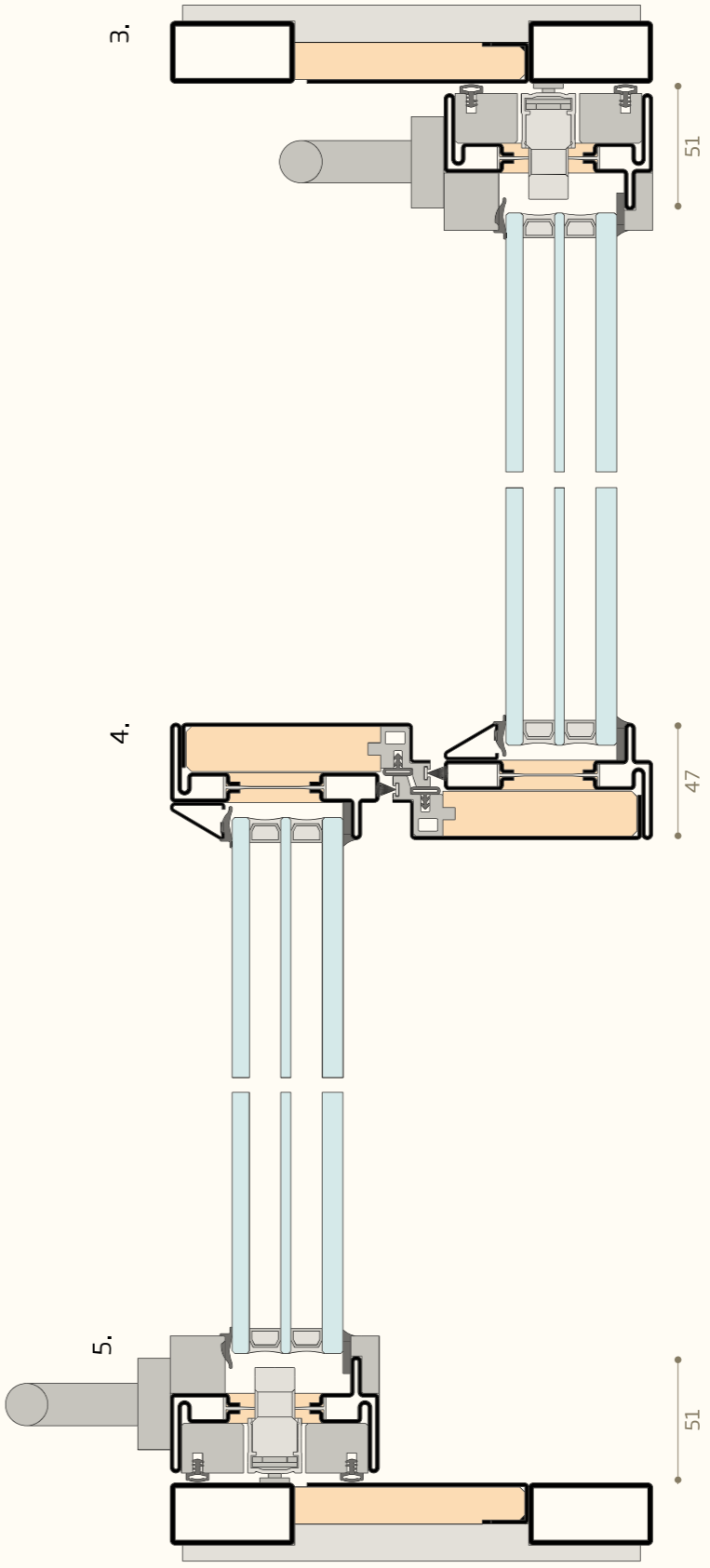
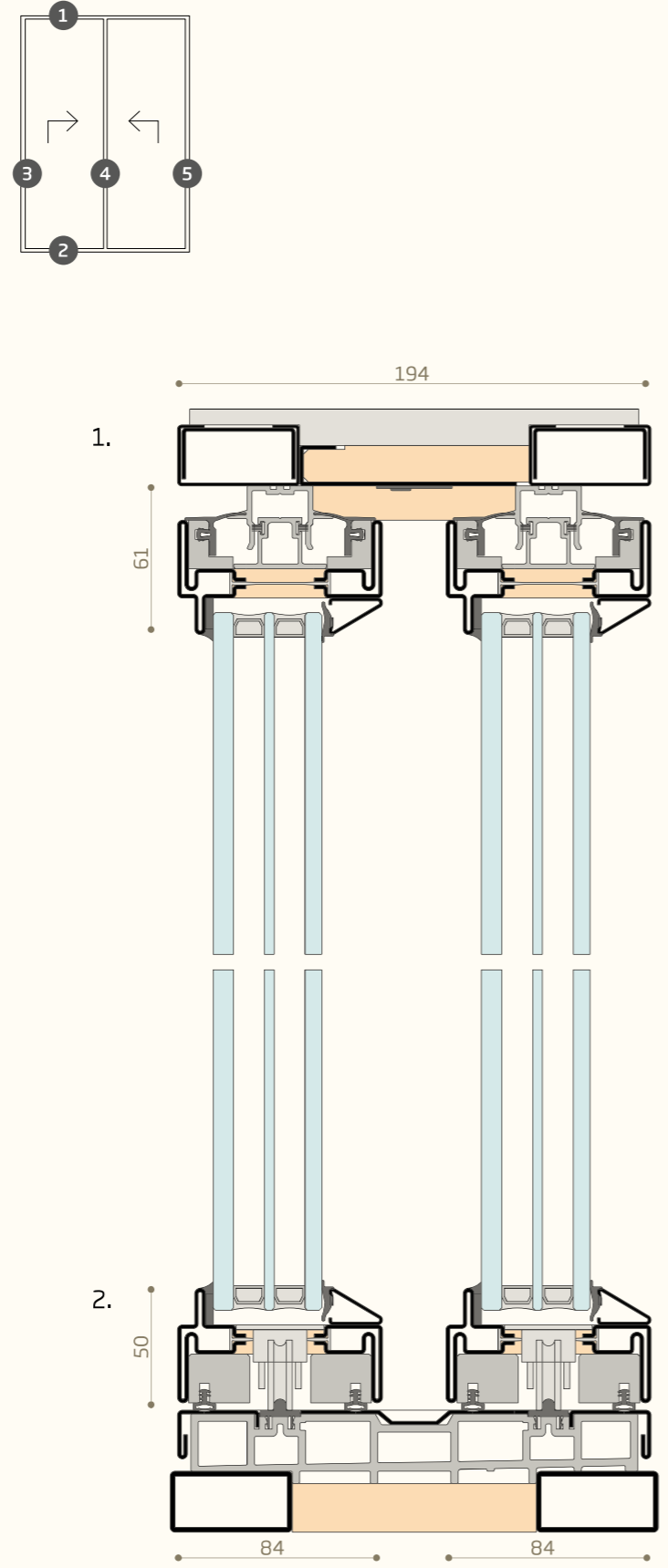
glazing beads



OS2 AS

two-sash
opening
sections

exmple for IGU
up to 50 mm



OS2 AS

four-sash opening sections

example for IGU up to 38 mm

