

OS2 LB

OS2 LB integrates the free opening in the OS2 family, in continuity with the minute characteristic profiles of the system: both with the reduced visible profiles, constant for the entire perimeter of the frame, as well as the excellent performance. By turning on the minimal hinges and sliding on the concealed rails, the folding sashes are fall one onto another or assume varying orientations, compressing and expanding the interior space.

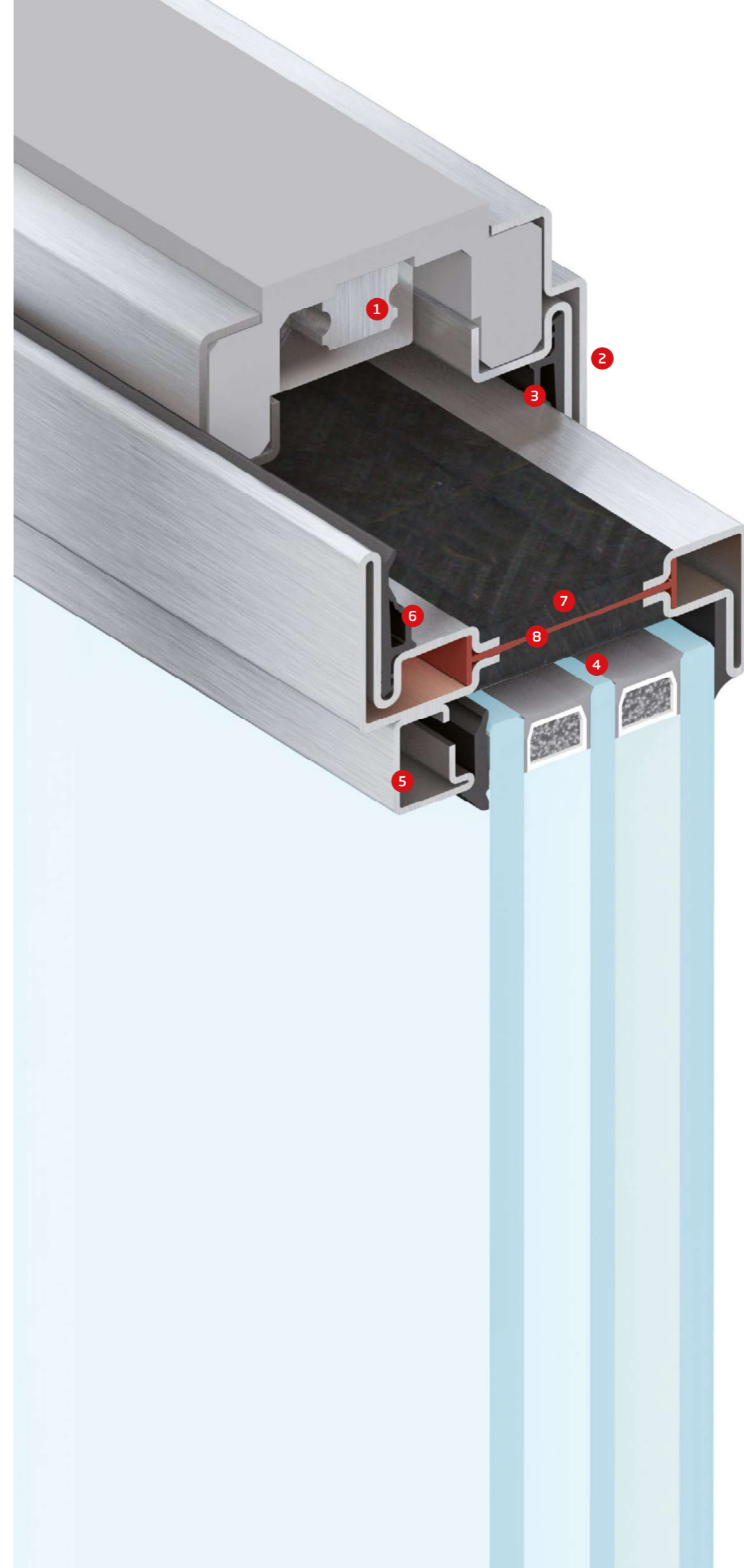


OS2 LB

the folding sashes have dimensions up to 100 x 290 cm, with a visible section ranging from 27 to 62 mm, depths from 70 to 84 mm, and glazing up to 50 mm. The top and bottom rails are fully concealed behind closed doors

maximum achievable performance

wind resistance - test pressure	3
wind resistance - frame bending	C
water tightness	5A
thermal transmittance (with U _g glass 0,7 W/m ² K)	1,3 W/m ² K
air permeability	4



- 1 steel rail
- 2 internal and external overlap
- 3 external rebate gasket
- 4 glazing slot up to 50 mm
- 5 glazing bead
- 6 internal rebate gasket
- composite structural thermal break*
- 7 polyurethane
- 8 polyamide

OS2 LB

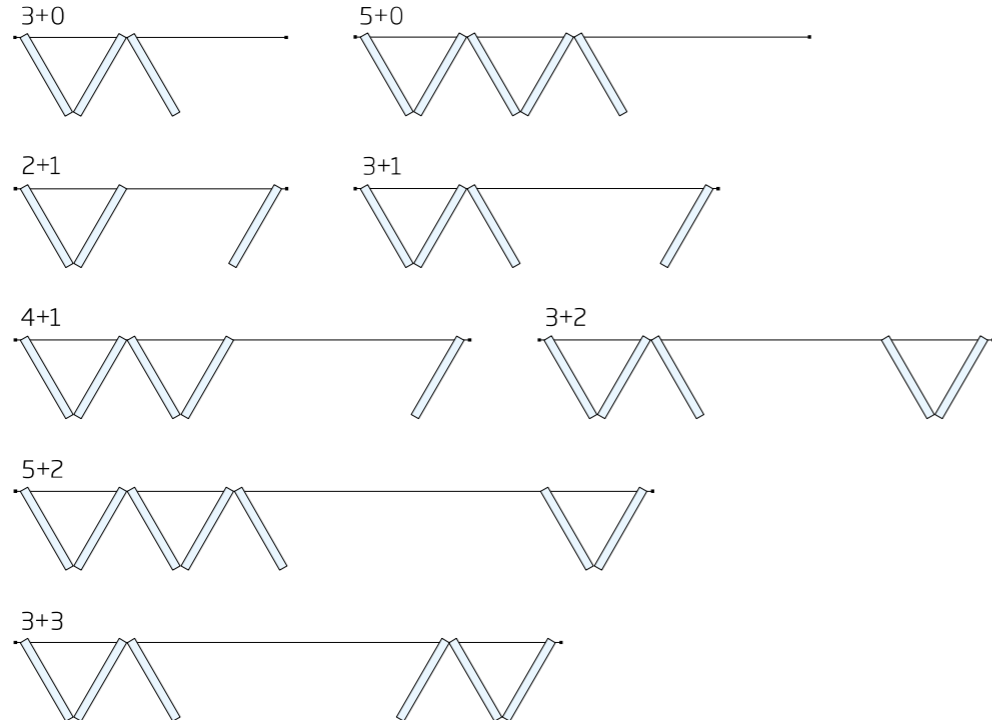


OS2 LB internal view corten steel

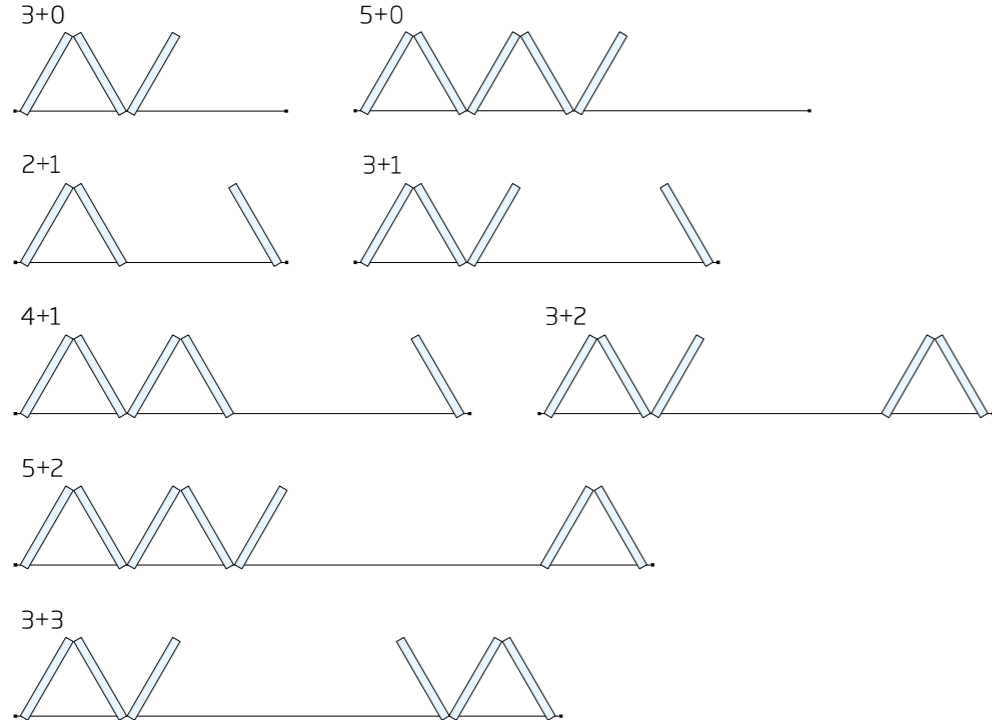
OS2 LB opening detail corten steel

OS2 LB type of opening

door and window inward opening



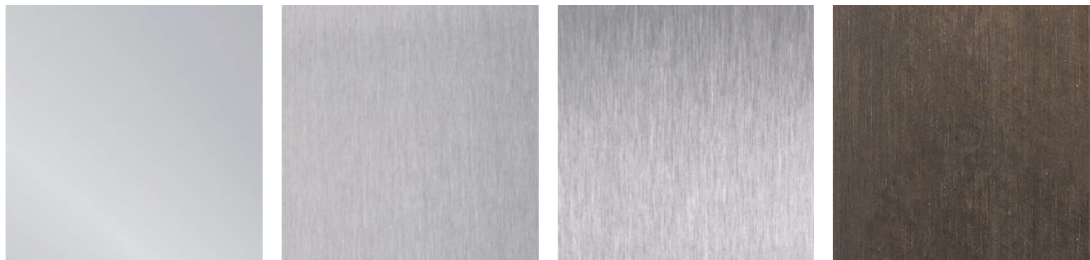
door and window outward opening



technical drawings p 102

OS2 LB materials

stainless steel



polished 316L stainless steel scotch brite 316L stainless steel satin-finished 304 stainless steel blackened 316L stainless steel

galvanised steel



painted galvanised steel

corten steel



oxidised corten steel waxed oxidised corten steel

brass



patinated OT67 brass satin-finished OT67 brass

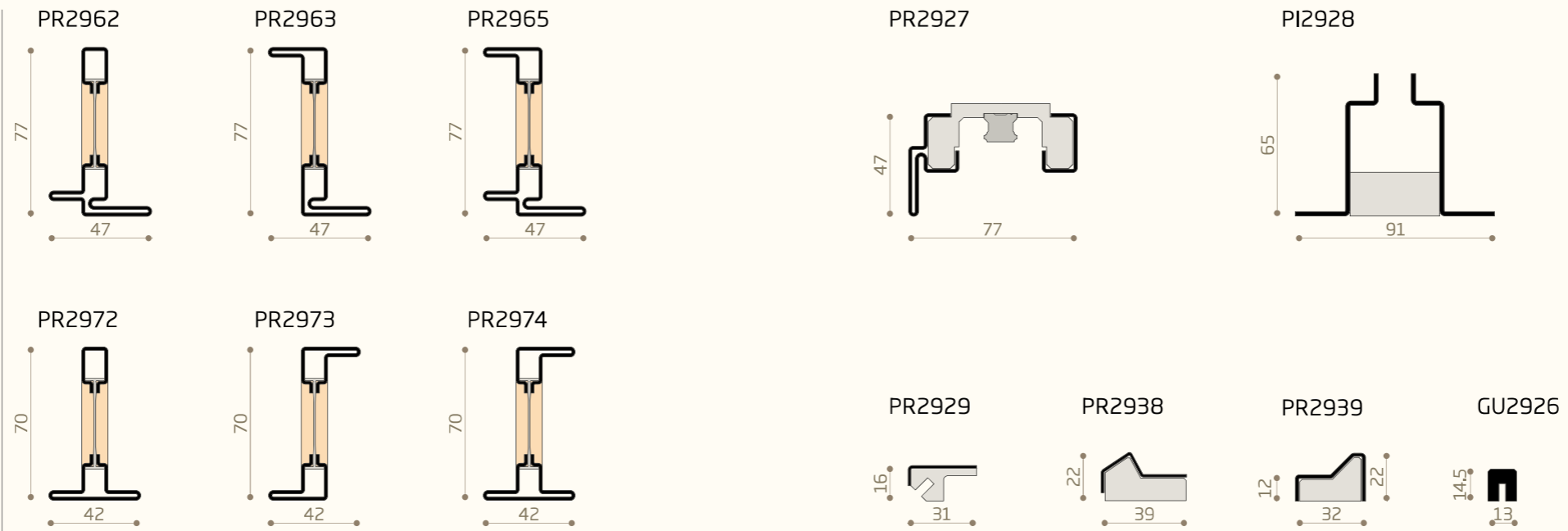
OS2 LB Villa-Ranch, California



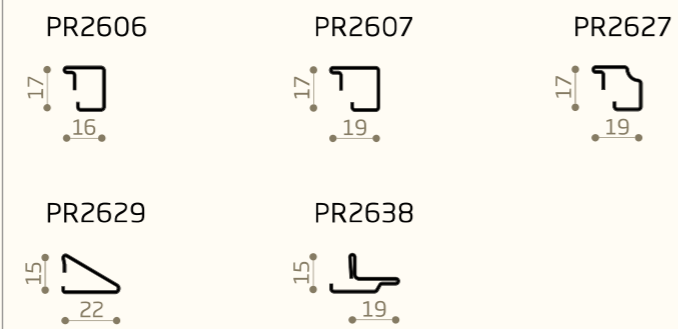
system OS2 LB
material galvanised steel 'patinated black'
design Backen, Gillam and Kroeger
officina Jada Windows
location California - USA

OS2 LB

profiles

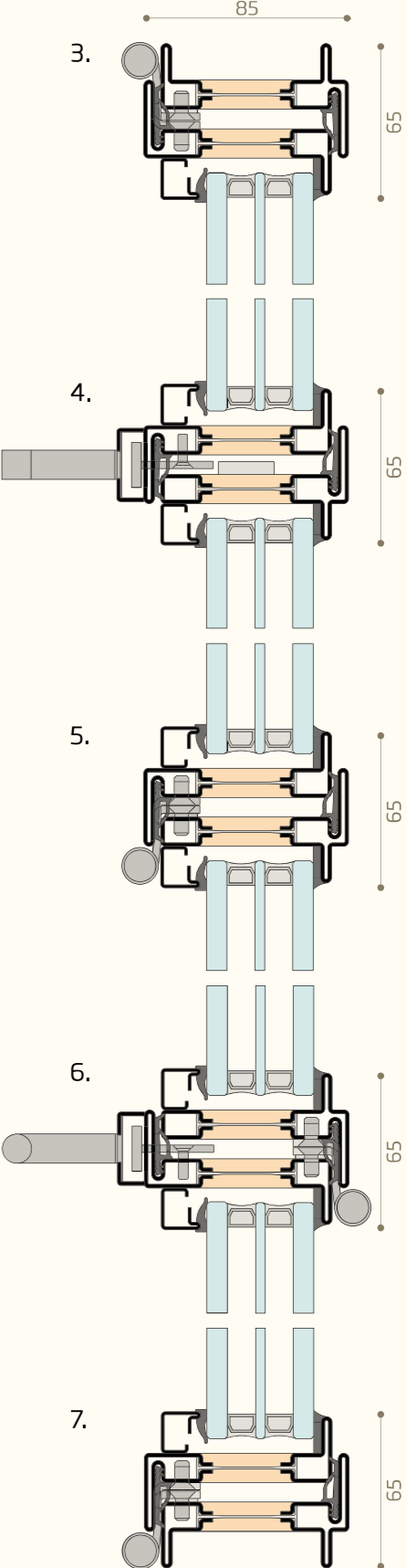
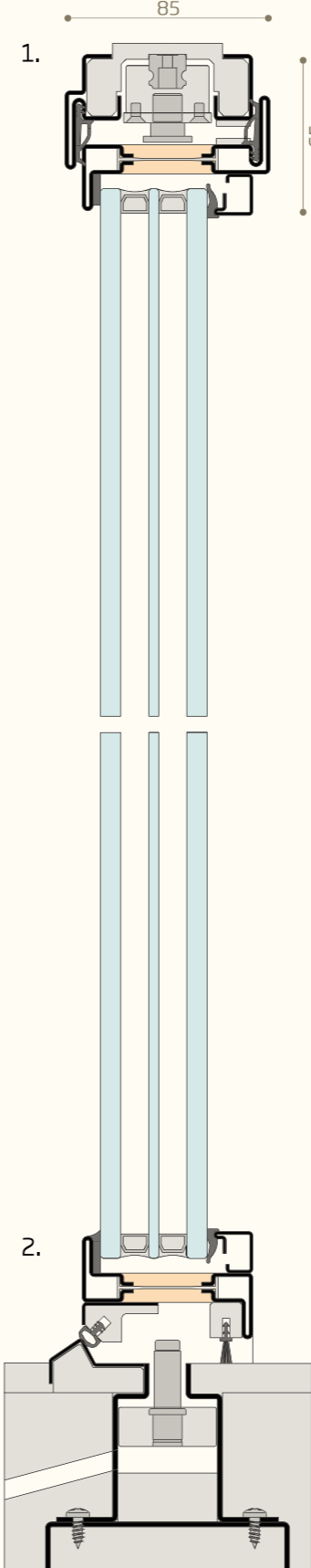
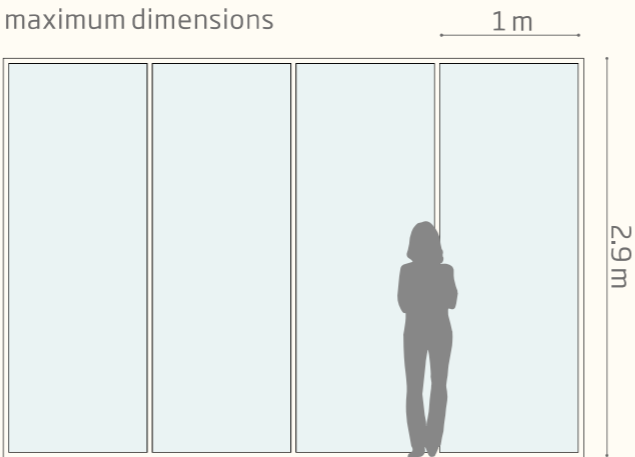
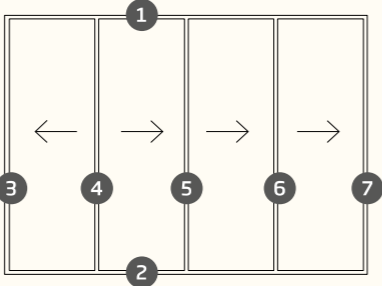


glazing beads



OS2 LB

inward
opening
sections



OS2 LB

outward
opening
sections

